

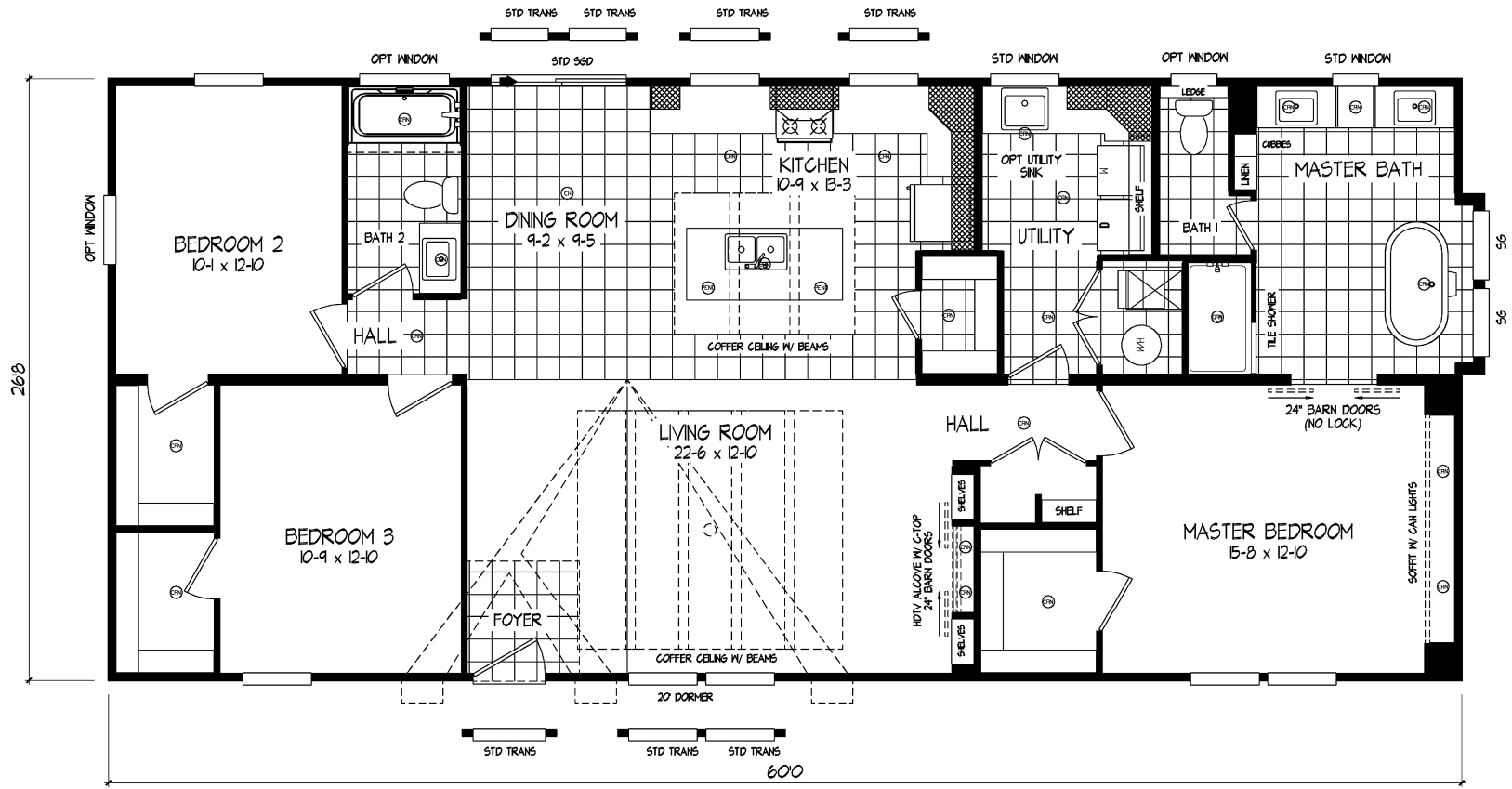
MODEL: CEL-28603A

APPROX: 1600 SQ.FT.

3 BED, 2 BATH

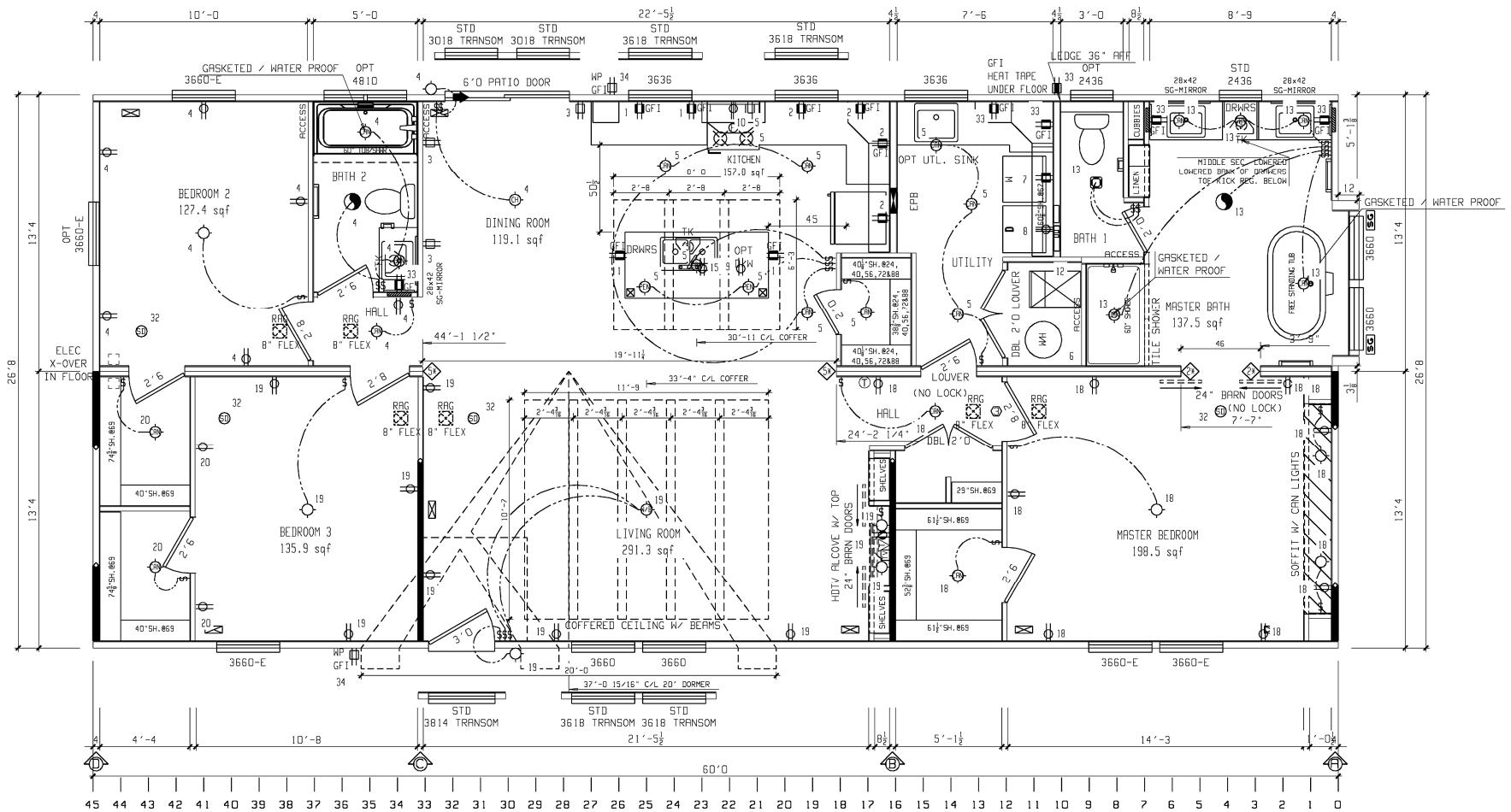
REV.12-24-19

PAGE: 2 OF 2



MODEL: CEL-28603A
 APPROX: 1600 SQ.FT.
 3 BED, 2 BATH
 REV:12-24-19
 PAGE: 1 OF 2

45 44 43 42 41 40 39 38 37 36 35 34 33 32 31 30 29 28 27 26 25 24 23 22 21 20 19 18 17 16 15 14 13 12 11 10 9 8 7 6 5 4 3 2 1 0

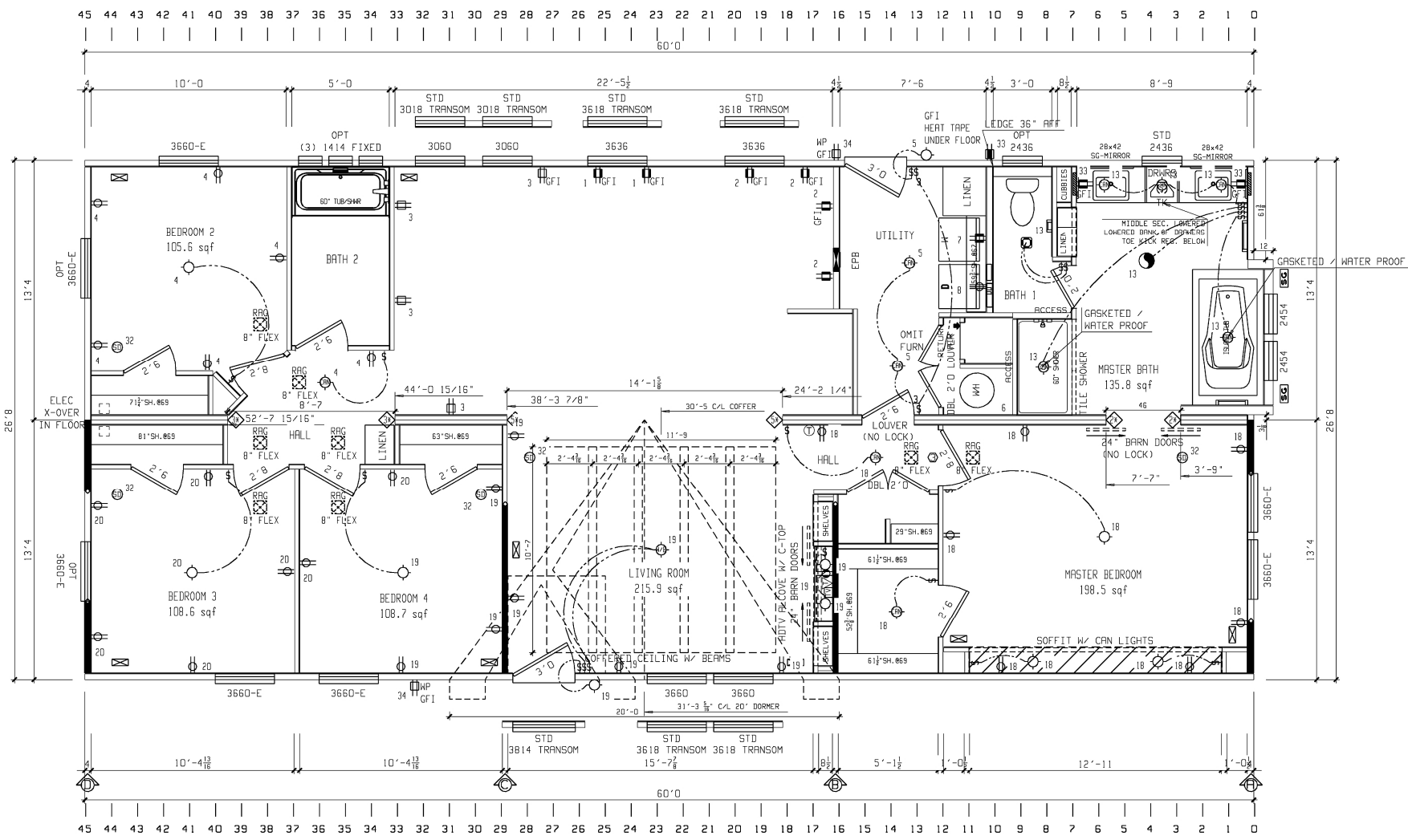


45 44 43 42 41 40 39 38 37 36 35 34 33 32 31 30 29 28 27 26 25 24 23 22 21 20 19 18 17 16 15 14 13 12 11 10 9 8 7 6 5 4 3 2 1 0

WIND-1 50' SIDERALLS	DTAPPARCH - 132 PLF	WIND-1 95' SIDERALLS	DTAPPARCH - 132 PLF	WIND-1 102' SIDERALLS	DTAPPARCH - 132 PLF	WIND-1 108' SIDERALLS	DTAPPARCH - 132 PLF	WIND-1 50'SH OPT	DTAPPARCH - 132 PLF	WIND-1 55'SH OPT	DTAPPARCH - 132 PLF	WIND-1 108'SH OPT	DTAPPARCH - 132 PLF	DESIGN LOADS	
SHEARALL	DESIGN PLF	SHEAR AREA	JOISTS	SHEARALL	DESIGN PLF	SHEAR AREA	JOISTS	SHEARALL	DESIGN PLF	SHEAR AREA	JOISTS	SHEARALL	DESIGN PLF	JOISTS	WIND-ROOF PSF
A	210 PLF	64"	2	A	210 PLF	64"	2	A	210 PLF	64"	2	A	210 PLF	64"	2
B	210 PLF	88"	2	B	210 PLF	96"	2	B	210 PLF	104"	2	B	210 PLF	104"	2
C	210 PLF	64"	2	C	210 PLF	96"	2	C	210 PLF	104"	2	C	210 PLF	104"	2
D	210 PLF	88"	2	D	210 PLF	104"	2	D	210 PLF	88"	2	D	210 PLF	88"	2
E				E				E				E			
F				F				F				F			
G				G				G				G			

RETURN AIR REQUIREMENTS		INDICATES REQUIRED NUMBER OF STUDS IN COLUMN	
①	20"x16" GRILL REQUIRED	◆	THE X SPECIFIES THAT THERE CAN BE NO HOLES IN STUDS IN COLUMNS
②	4"x10" GRILL W/ 2 1/2" DOOR UNDERCUT		
③	DOOR(S) MUST BE UNDERCUT 2 1/2" MIN.		
④	4"x24" OR 6"x14" GRILL REQUIRED		

CLAYTON HOME BUILDING GROUP		BRAND: SCHULT SERIES: S028		REVISIONS <table border="1"> <tr><th>NO.</th><th>DESCRIPTION</th><th>BY</th><th>DATE</th></tr> <tr><td> </td><td> </td><td> </td><td> </td></tr> </table>		NO.	DESCRIPTION	BY	DATE					GENERAL NOTES CEILING HEIGHT = 108.0 REFER TO DAPPIA PAGE MMP-2.0 FOR AREA LIGHT & VENT REFER TO DAPPIA PAGE EL-1.2 FOR ELEC. SYMBOL & BRANCH CIRCUIT NUMBER FLOOR FRAMING SPACING = 16 TOTAL WINDOW SOFT = 225.00 SQ FT STD. / 250.00 SQ FT OPT.		DRAWING TITLE <h1>MASTER PLAN</h1>		MODEL NAME: CELEBRATION SO. FT.: 1600	
NO.	DESCRIPTION	BY	DATE																
PLANT: 951 DRAWN BY: ABM		DESCRIPTION: 28X60 3BR-2BA ORIG. DATE: 12/24/2019		MODEL NO.: 1951CEL28603A DATE PRINTED: 01/07/2020		SHEET NO.: 1-1													



***** ALL ELECTRICAL NOT SHOWN HERE
 IS THE SAME AS THE MASTER PLAN *****

WIND-1 50" SIDEWALLS	DIAPHRAGM - 132 PLF	WIND-1 55" SIDEWALLS	DIAPHRAGM - 132 PLF	WIND-1 102" SIDEWALLS	DIAPHRAGM - 132 PLF	WIND-1 108" SIDEWALLS	DIAPHRAGM - 132 PLF	WIND-1 50" SH OPT	DIAPHRAGM - 132 PLF	WIND-1 55" SH OPT	DIAPHRAGM - 132 PLF	WIND-1 108" SH OPT	DIAPHRAGM - 132 PLF	DESIGN LOADS		
SHEARWALL	DESIGN PLF	SHEAR AREA	JOISTS	SHEARWALL	DESIGN PLF	SHEAR AREA	JOISTS	SHEARWALL	DESIGN PLF	SHEAR AREA	JOISTS	SHEARWALL	DESIGN PLF	SHEAR AREA	JOISTS	WIND-ROOF PSF
A	210 PLF	64"	2	A	210 PLF	64"	2	A	210 PLF	64"	2	A	210 PLF	64"	2	1.30
B	210 PLF	88"	2	B	210 PLF	96"	2	B	210 PLF	104"	2	B	210 PLF	104"	2	
C	210 PLF	64"	2	C	210 PLF	96"	2	C	210 PLF	104"	2	C	210 PLF	104"	2	
D	210 PLF	88"	2	D	210 PLF	96"	2	D	210 PLF	104"	2	D	210 PLF	104"	2	
E				E				E				E				
F				F				F				F				
G				G				G				G				

RETURN AIR REQUIREMENTS		INDICATES REQUIRED NUMBER OF STUDS IN COLUMN
①	20" x 16" GRILL REQUIRED	
②	4" x 10" GRILL W/ 2 1/2" DOOR UNDERCUT	
③	DOOR(S) MUST BE UNDERCUT 2 1/2" MIN.	
④	4" x 24" OR 6" x 14" GRILL REQUIRED	

BRAND: SCHULT
 SERIES: S028
CLAYTON HOME BUILDING GROUP

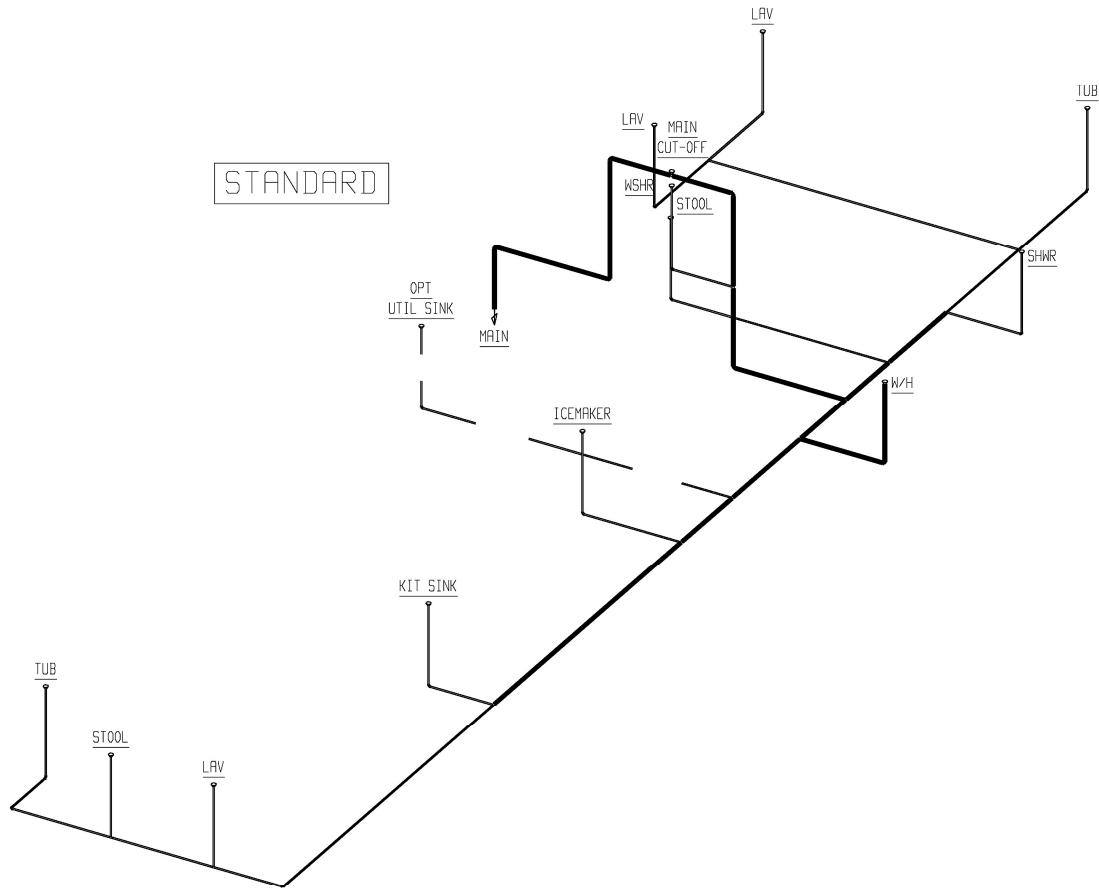
REVISIONS	BY	DATE

GENERAL NOTES
 CEILING HEIGHT = 108.0
 REFER TO DPPIA PAGE MMP-2.0 FOR AREA LIGHT & VENT
 REFER TO DPPIA PAGE EL-1.2 FOR ELEC. SYMBOL & BRANCH CIRCUIT NUMBER

DRAWING TITLE: **MASTER PLAN #2**

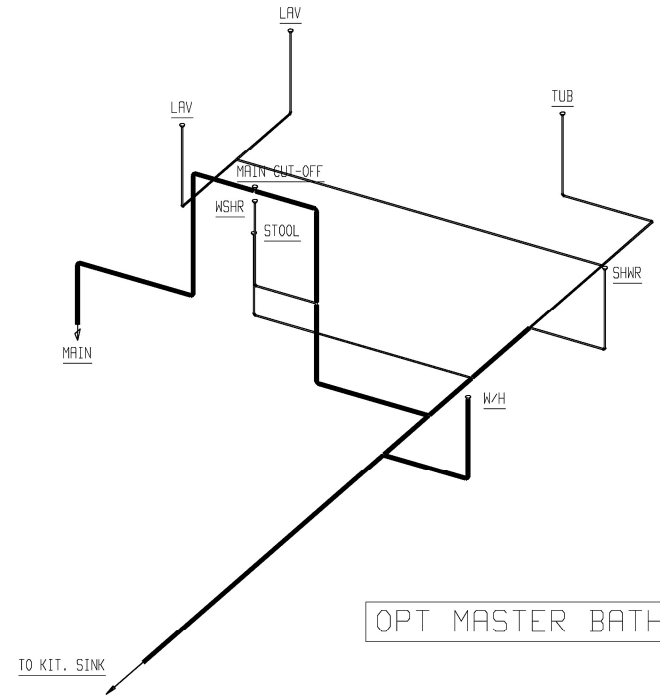
MODEL NAME: CELEBRATION		SO. FT.: 1600
PLANT: 951	DESCRIPTION: 28X60 3BR-2BA	MODEL NO.: 1951CEL28603FA
DRAWN BY: ABM	ORIG. DATE: 12/24/2019	DATE PRINTED: 01/07/2020
		SHEET NO.: 1-2

STANDARD

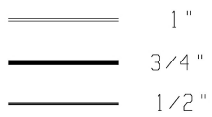


COLD WATER SUPPLY PLUMBING

OPT MASTER BATH



PIPE LEGEND



BRAND	SCHULT	SERIES	S028
CLAYTON HOME BUILDING GROUP			

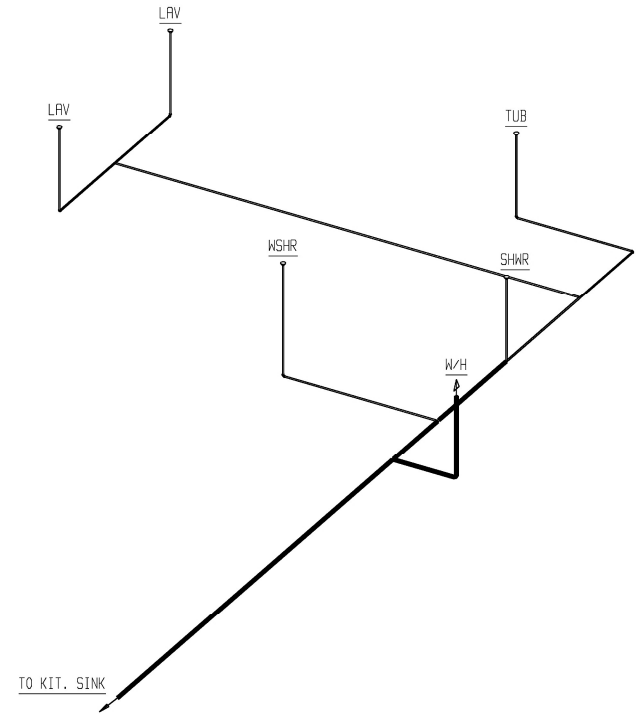
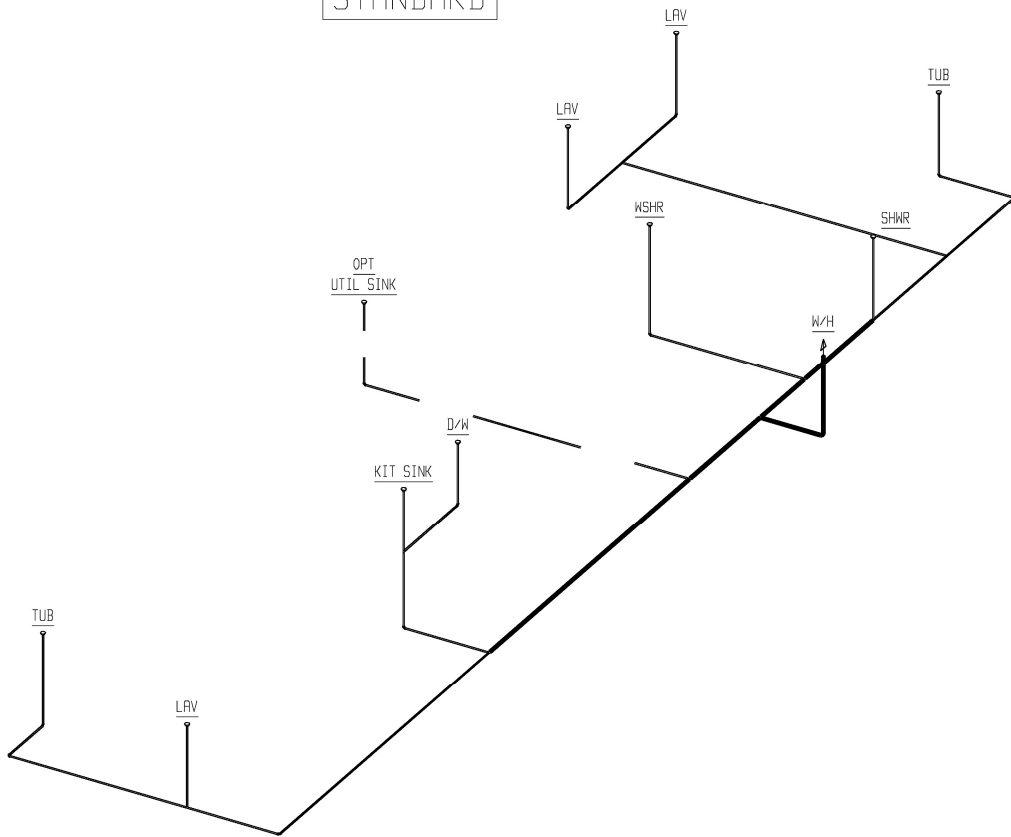
REVISIONS	BY	DATE

GENERAL NOTES
HOSE BIBBS PER SPECS

DRAWING TITLE	SUPPLY PLUMBING
---------------	-----------------

MODEL NAME	CELEBRATION			SO. FT.	1600
PLANT	DESCRIPTION	MODEL NO.			
951	28X60 3BR-2BA	1951CEL28603A			
DRAWN BY	ORIG. DATE	DATE PRINTED	SHEET NO.		
ABM	12/24/2019	12/24/2019	9-1		


STANDARD



OPT MASTER BATH

HOT WATER SUPPLY PLUMBING

PIPE LEGEND

	1"
	3/4"
	1/2"

BRAND	SCHULT
SERIES	S028
CLAYTON HOME BUILDING GROUP	

REVISIONS	BY	DATE

GENERAL NOTES
HOSE BIBBS PER SPECS

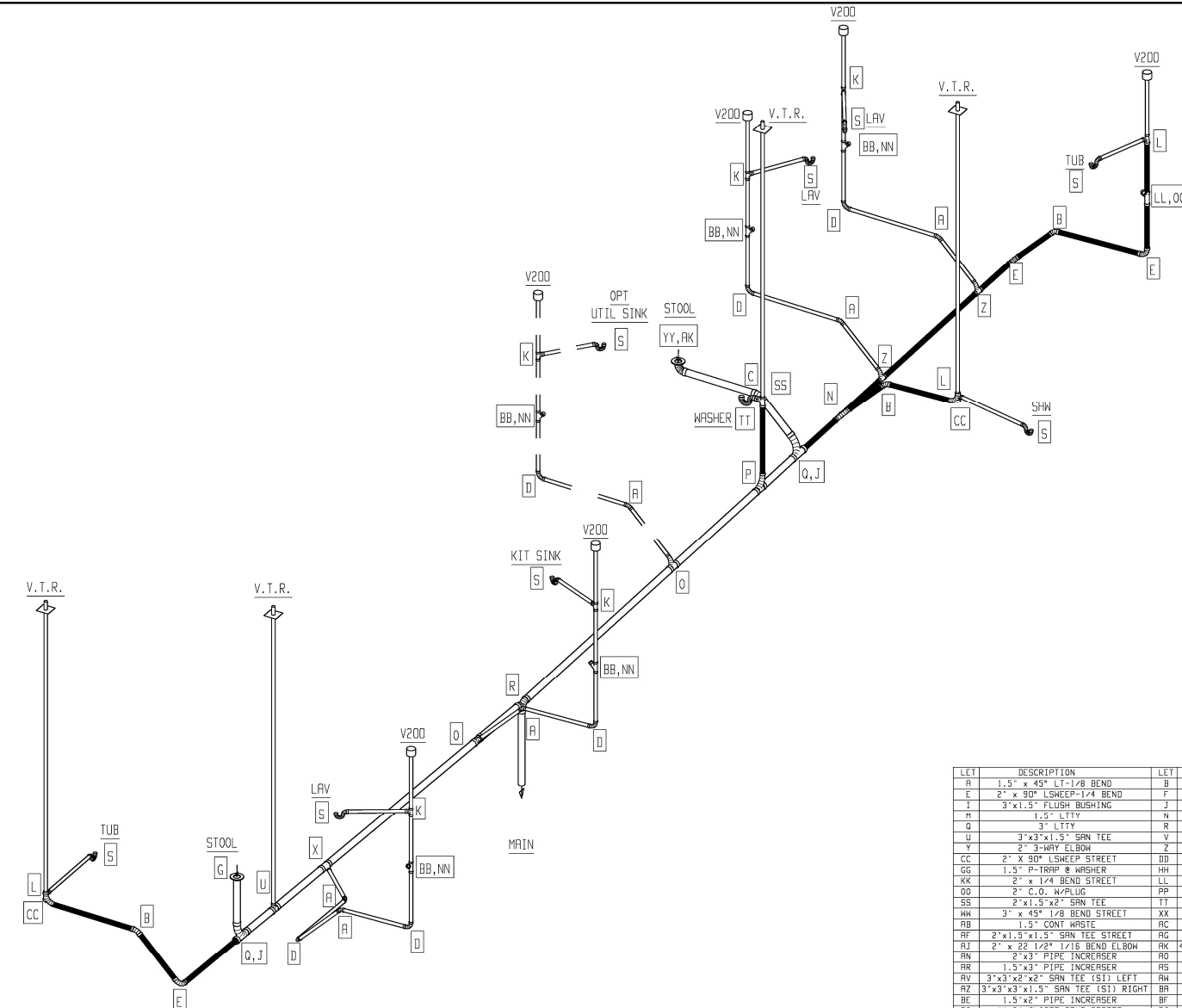
DRAWING TITLE	SUPPLY #2
---------------	------------------

MODEL NAME		CELEBRATION	SO. FT.
			1600
PLANT	DESCRIPTION	MODEL NO.	
951	28X60 3BR-2BA	1951CEL28603A	
DRAWN BY	ORIG. DATE	DATE PRINTED	SHEET NO.
ABM	12/24/2019	12/24/2019	9-2

PIPING AND FITTING MATERIAL TYPE TO BE:
 ABS (ACRYLONITRILE-BUTADIENE-STYRENE)
 OR PVC (POLYVINYL CHLORIDE)

PIPE LEGEND

	1 1/2"
	2"
	3"



LET	DESCRIPTION	LET	DESCRIPTION	LET	DESCRIPTION	LET	DESCRIPTION
A	1.5" x 45° LT-1/8 BEND	B	2" x 45° LT-1/8 BEND	C	3" x 45° LT-1/8 BEND	D	1.5" x 90° LONG SWEEP-1/4 BEND
E	2" x 90° LSWEEP-1/4 BEND	F	3" x 90° LSWEEP-1/4 BEND	G	4" x 3" CLOSET FLANGE	H	2" x 1.5" FLUSH BUSHING
I	3" x 1.5" FLUSH BUSHING	J	3" x 2" FLUSH BUSHING	K	1.5" SANITARY TEE	L	2" x 1.5" x 1.5" SAN TEE
M	1.5" LTTY	N	2" LTTY	O	3" x 3" x 1.5" LTTY	P	3" x 3" x 2" LTTY
Q	3" LTTY	R	3" 3-WAY ELBOW	S	1.5" x 1.5" P-TRAP	T	3" x 3" x 1.5" x 1.5" DBL SAN TEE
U	3" x 3" x 1.5" SAN TEE	V	1.5" x 90° LONG SWEEP STREET	W	3" SANITARY TEE	X	3" x 3" x 1.5" WYE
Y	2" 3-WAY ELBOW	Z	2" x 2" x 1.5" LTTY	AA	3" x 3" x 2" SAN TEE	BB	1.5" x 45° WYE
CC	2" x 90° SWEEP STREET	DD	1.5" x 45° 1/8 BEND STREET	EE	1.5" COUPLING	FF	3" COUPLING
GG	1.5" P-TRAP W/ WASHER	HH	1.5" SAN TEE STREET	II	2" x 1.5" x 1.5" LTTY	JJ	2" x 1.5" x 2" LTTY
KK	2" x 1/4" BEND STREET	LL	2" x 45° WYE	MM	3" DBL SAN TEE	NN	1.5" C.O. W/PLUG
OO	2" C.O. W/PLUG	PP	3" C.O. W/PLUG	QQ	2" x 2" x 1.5" WYE REDUCING	RR	1.5" 1/4 BEND
SS	2" x 1.5" x 2" SAN TEE	TT	2" P-TRAP	UU	2" x 45° 1/8 BEND STREET	VV	2" COUPLING
WW	3" x 45° 1/8 BEND STREET	XX	2" SANITARY TEE	YY	4" CLOSET FLANGE	ZZ	4" COUPLING
AB	1.5" CONF WASTE	AC	1.5" x 22 1/2" ELBOW STREET	AD	2" x 22 1/2" ELBOW STREET	AE	3" x 3" x 2" DBL SAN TEC
AF	2" x 1.5" x 1.5" SAN TEE STREET	AG	2" x 1.5" x 1.5" 3-WAY ELBOW	AH	3" x 22 1/2" 1/16 BEND ELBOW	AI	1.5" 3-WAY ELBOW
AJ	2" x 22 1/2" 1/16 BEND ELBOW	AK	4" x 3" CLOSET BEND STR (CUT DOWN 1.5")	AL	3" x 3" x 3" WYE	AM	3" 1/4 BEND
AN	2" x 3" PIPE INCREASER	AO	3" x 3" x 2" WYE	AP	2" 1/4 BEND	AP	2" x 2" x 2" x 2" DBL SAN TEE
AR	1.5" x 3" PIPE INCREASER	AS	1.5" x 1.5" x 1.5" x 1.5" DBL SAN TEE	AT	3" DOUBLE FIXTURE TEE	AU	2" x 2" x 1.5" x 1.5" DBL SAN TEE
AV	3" x 3" x 2" x 2" SAN TEE (S1) LEFT	AW	3" x 3" x 3" x 1.5" SAN TEE (S1) LEFT	AX	3" x 3" x 3" x 2" x 2" SAN TEE (S1) LEFT	AY	3" x 3" x 2" x 2" SAN TEE (S1) RIGHT
AZ	3" x 3" x 3" x 1.5" SAN TEE (S1) RIGHT	BA	3" x 3" x 3" x 2" SAN TEE (S1) RIGHT	BC	3" x 3" x 3" x 2" x 2" SAN TEE DBL(S1)	BD	3" x 3" x 3" x 1.5" x 1.5" SAN T DBL(S1)
BE	1.5" x 2" PIPE INCREASER	BF	3" x 3" x 1.5" 90° LSWEEP LOW HEEL INLET	BG	3" x 3" x 2" 90° LSWEEP LOW HEEL INLET	BH	1.5" x 22 1/2" 1/16 BEND ELBOW
BI	4" x 3" CLOSET BEND STREET	BJ		BK		BL	

BRAND SCHULT
 SERIES S028
 CLAYTON HOME BUILDING GROUP

REVISIONS	BY	DATE

GENERAL NOTES

DRAWING TITLE
DWV SCHEMATIC

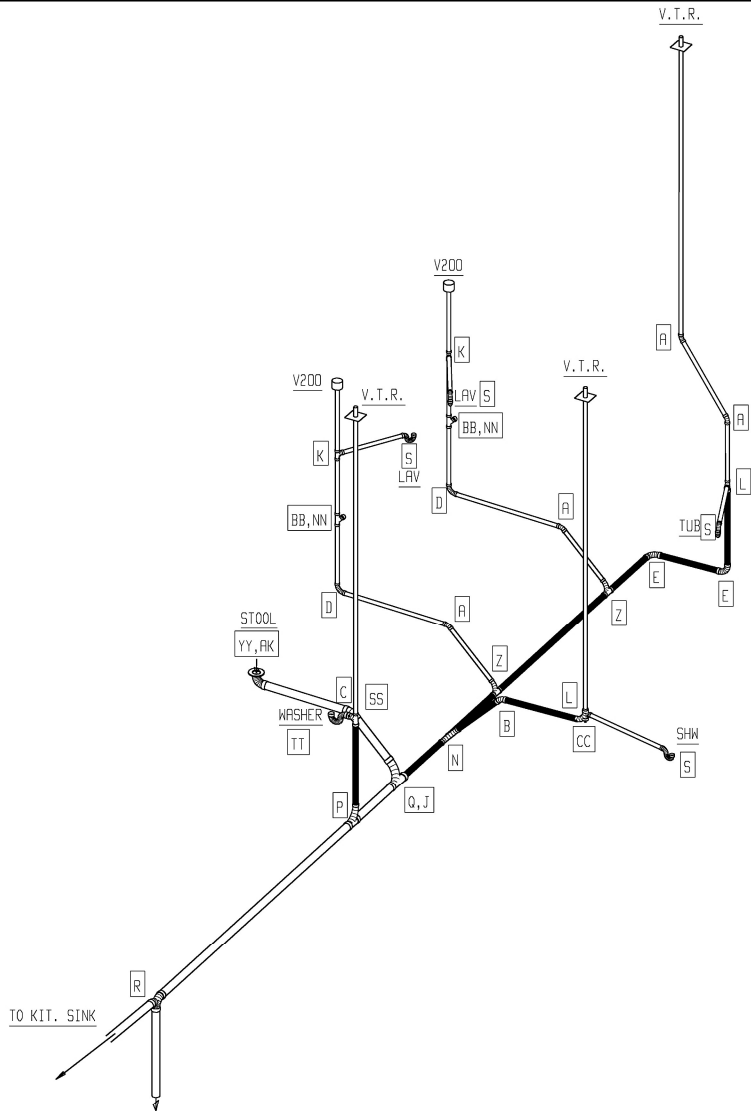
MODEL NAME		CELEBRATION		SO. FT.
				1600
PLANT	DESCRIPTION	MODEL NO.		
951	28X60 3BR-2BA	1951CEL28603A		
DRAWN BY	ORIG. DATE	DATE PRINTED	SHEET NO.	
ABM	12/24/2019	12/24/2019	8-1	

PIPING AND FITTING MATERIAL TYPE TO BE:
 ABS (ACRYLONITRILE-BUTADIENE-STYRENE)
 OR PVC (POLYVINYL CHLORIDE)

PIPE LEGEND

	1 1/2"
	2"
	3"

OPT MASTER BATH



LET	DESCRIPTION	LET	DESCRIPTION	LET	DESCRIPTION	LET	DESCRIPTION
A	1.5" x 45° LT-1/8 BEND	B	2" x 45° LT-1/8 BEND	C	3" x 45° LT-1/8 BEND	D	1.5" x 90° LONG SWEEP-1/4 BEND
E	2" x 90° LSWEEP-1/4 BEND	F	3" x 90° LSWEEP-1/4 BEND	G	4" x 90° CLOSET FLANGE	H	2" x 1.5" FLUSH BUSHING
I	3" x 1.5" FLUSH BUSHING	J	3" x 2" FLUSH BUSHING	K	1.5" SANITARY TEE	L	2" x 1.5" x 1.5" SAN TEE
M	1.5" LTTY	N	2" LTTY	O	3" x 3" x 1.5" LTTY	P	3" x 3" x 2" LTTY
Q	3" LTTY	R	3" 3-WAY ELBOW	S	1.5" x 1.5" P-TRAP	T	3" x 3" x 1.5" x 1.5" DBL SAN TEE
U	3" x 3" x 1.5" SAN TEE	V	1.5" x 90° LONG SWEEP STREET	W	3" SANITARY TEE	X	3" x 3" x 1.5" WYE
Y	2" 3-WAY ELBOW	Z	2" x 2" x 1.5" LTTY	AA	3" x 3" x 2" SAN TEE	BB	1.5" x 45° WYE
CC	2" x 90° LSWEEP STREET	DD	1.5" x 45° 1/8 BEND STREET	EE	1.5" COUPLING	FF	3" COUPLING
GG	1.5" P-TRAP W WASHER	HH	1.5" SAN TEE STREET	II	2" x 1.5" x 1.5" LTTY	JJ	2" x 1.5" x 2" LTTY
KK	2" x 1/4 BEND STREET	LL	2" x 45° WYE	MM	3" DBL SAN TEE	NN	1.5" C.O. W/PLUG
OO	2" C.O. W/PLUG	PP	3" C.O. W/PLUG	QQ	2" x 2" x 1.5" WYE REDUCING	RR	1.5" 1/4 BEND
SS	2" x 1.5" x 2" SAN TEE	TT	2" P-TRAP	UU	2" x 45° 1/8 BEND STREET	VV	2" COUPLING
WW	3" x 45° 1/8 BEND STREET	XX	2" SANITARY TEE	YY	4" CLOSET FLANGE	ZZ	4" COUPLING
AB	1.5" CONF WASTE	AC	1.5" x 22 1/2" ELBOW STREET	AD	2" x 22 1/2" ELBOW STREET	AE	3" x 3" x 2" DBL SAN TEC
AF	2" x 1.5" x 1.5" SAN TEE STREET	AG	2" x 1.5" x 1.5" 3-WAY ELBOW	AH	3" x 22 1/2" 1/16 BEND ELBOW	AI	1.5" 3-WAY ELBOW
AJ	2" x 22 1/2" 1/16 BEND ELBOW	AK	4" x 3" CLOSET BEND STR (CUT DOWN 1.5")	AL	3" x 3" x 3" WYE	AM	3" 1/4 BEND
AN	2" x 3" PIPE INCREASER	AO	3" x 3" x 2" WYE	AP	2" 1/4 BEND	AQ	2" x 2" x 2" x 2" DBL SAN TEE
AR	1.5" x 3" PIPE INCREASER	AS	1.5" x 1.5" x 1.5" x 1.5" DBL SAN TEE	AT	3" DOUBLE FIXTURE TEE	AU	2" x 2" x 1.5" x 1.5" DBL SAN TEE
AV	3" x 3" x 2" x 2" SAN TEE (S1) LEFT	AW	3" x 3" x 3" x 1.5" SAN TEE (S1) LEFT	AX	3" x 3" x 3" x 2" SAN TEE (S1) LEFT	AY	3" x 3" x 2" x 2" SAN TEE (S1) RIGHT
AZ	3" x 3" x 3" x 1.5" SAN TEE (S1) RIGHT	BA	3" x 3" x 3" x 2" SAN TEE (S1) RIGHT	BC	3" x 3" x 3" x 2" x 2" SAN TEE DBL(S1)	BD	3" x 3" x 3" x 1.5" x 1.5" SAN T DBL(S1)
BE	1.5" x 2" PIPE INCREASER	BF	3" x 3" x 1.5" 90° LSWEEP LOW HEEL INLET	BG	3" x 3" x 2" 90° LSWEEP LOW HEEL INLET	BH	1.5" x 22 1/2" 1/16 BEND ELBOW
BI	4" x 3" CLOSET BEND STREET	BJ		BK		BL	

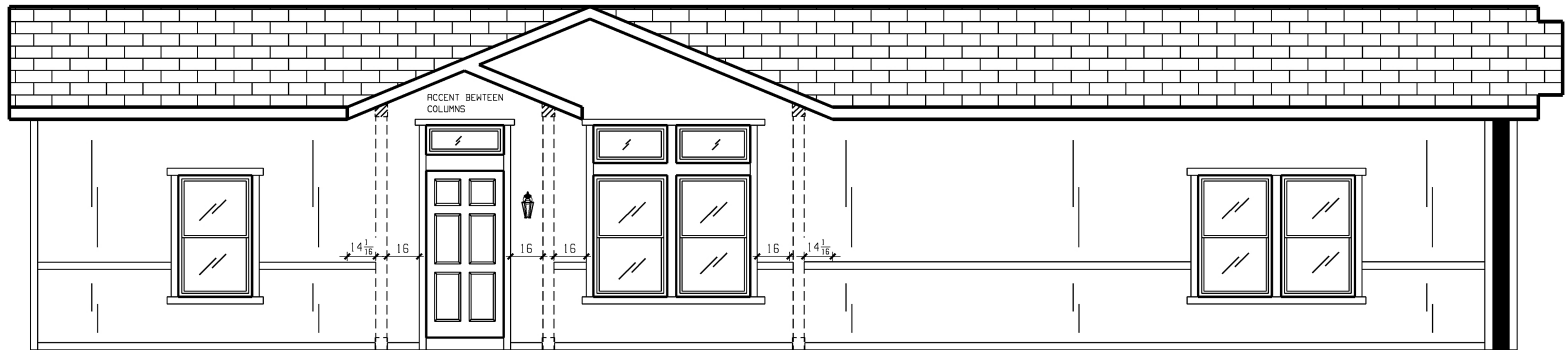
BRAND	SCHULT	SERIES	S028
CLAYTON HOME BUILDING GROUP			

REVISIONS	BY	DATE

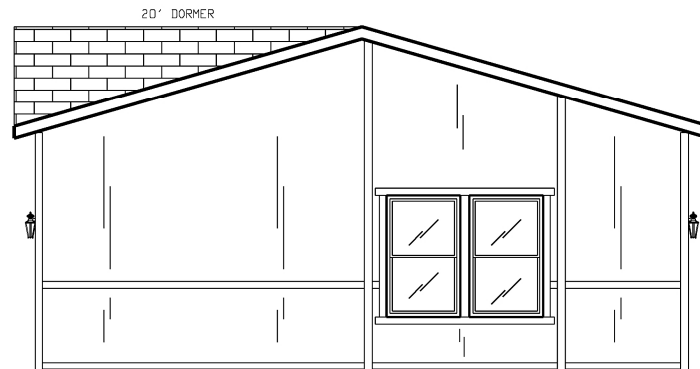
GENERAL NOTES

DRAWING TITLE	DWY SCHEMATIC #2
---------------	------------------

MODEL NAME	CELEBRATION		SO. FT.	1600
PLANT	DESCRIPTION	MODEL NO.		
951	28X60 3BR-2BA	1951CEL28603A		
DRAWN BY	ORIG. DATE	DATE PRINTED	SHEET NO.	
ABM	12/24/2019	12/24/2019	8-2	



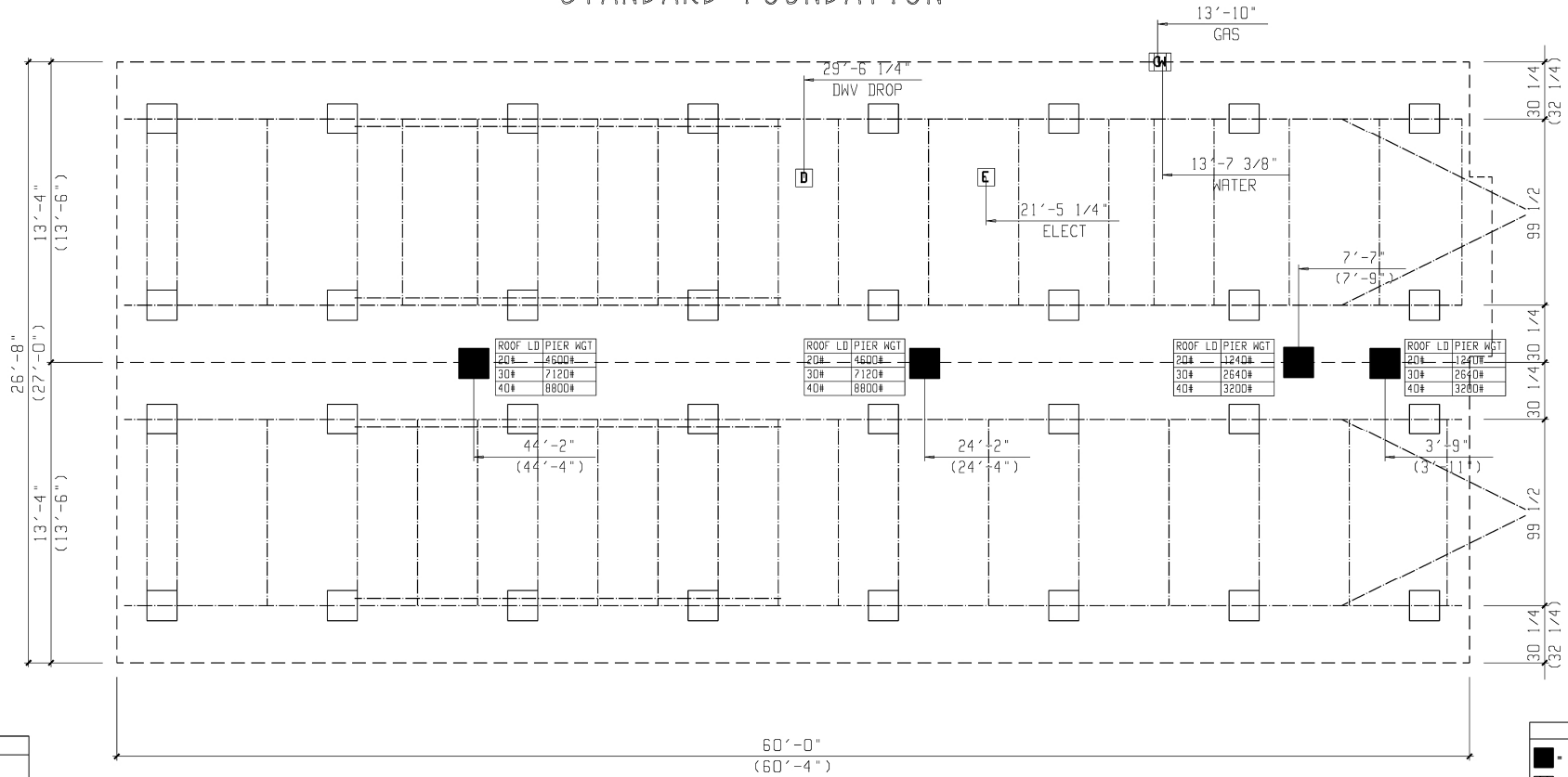
FRONT ELEVATION



RIGHT SIDE ELEVATION

BRAND SCHULT	SERIES S028	CLAYTON HOME BUILDING GROUP	<table border="1"> <thead> <tr> <th>REVISIONS</th> <th>BY</th> <th>DATE</th> </tr> </thead> <tbody> <tr><td> </td><td> </td><td> </td></tr> <tr><td> </td><td> </td><td> </td></tr> <tr><td> </td><td> </td><td> </td></tr> <tr><td> </td><td> </td><td> </td></tr> </tbody> </table>	REVISIONS	BY	DATE													<table border="1"> <thead> <tr> <th>GENERAL NOTES</th> </tr> </thead> <tbody> <tr><td> </td></tr> <tr><td> </td></tr> <tr><td> </td></tr> </tbody> </table>	GENERAL NOTES				DRAWING TITLE EXTERIOR ELEVATION FRONT & RIGHT SIDE	MODEL NAME CELEBRATION	SQ. FT. 1600
REVISIONS	BY	DATE																								
GENERAL NOTES																										
PLANT 951	DESCRIPTION 28X60 3BR-2BA	MODEL NO. 1951CEL28603A	DRAWN BY ABM		ORIG. DATE 12/24/2019	DATE PRINTED 12/24/2019	SHEET NO. 20-1																			

STANDARD FOUNDATION



PIER LEGEND	
	SUPPORT AT MATING COLUMN
	SUPPORT UNDER MATING WALL
	SUPPORT UNDER MATING OPENING
	SUPPORT AT PORCH/RECESSED ENTRY
	SUPPORT UNDER MAIN I-BEAM
	SUPPORT UNDER PERIMETER WALL
	SUPPORT AT CROSS I-BEAM BASEMENT

SERVICE ENTRANCE LEGEND	
	ELECTRICAL DROP
	WATER INLET
	DWV PLUMBING DROP
	GAS INLET

NOTE:
ALL LOCATIONS ARE APPROXIMATE

CRAWLSPACE VENTILATION
 VENTILATION IS BASED ON 144 SQ. IN. OF VENT FOR EVERY 300 SQ. FT. OF CRAWLSPACE AREA WITH APPROVED VAPOR RETARDER MATERIAL. ONE SUCH VENT MUST BE WITHIN 3 FT. OF EACH CORNER

1600 SQ. FT. OF CRAWLSPACE AREA
 768 SQ. IN. OF VENT REQUIRED
 15 VENTS NEEDED @ 52 SQ. IN. EACH
 780 SQ. IN. VENTILATION INSTALLED MINIMUM

NOTE: THE FOUNDATION WIDTH SHOWN 26'-8" IS IDENTICAL TO THE OVERALL FLOOR WIDTH OF THE HOME. THE FOUNDATION MAY BE CONSTRUCTED UP TO 1 1/2" WIDER TO COMPENSATE FOR PRODUCTION AND ASSEMBLY TOLERANCES.

BRAND	SCHULT
SERIES	S028
CLAYTON HOME BUILDING GROUP	

REVISIONS	BY	DATE

GENERAL NOTES

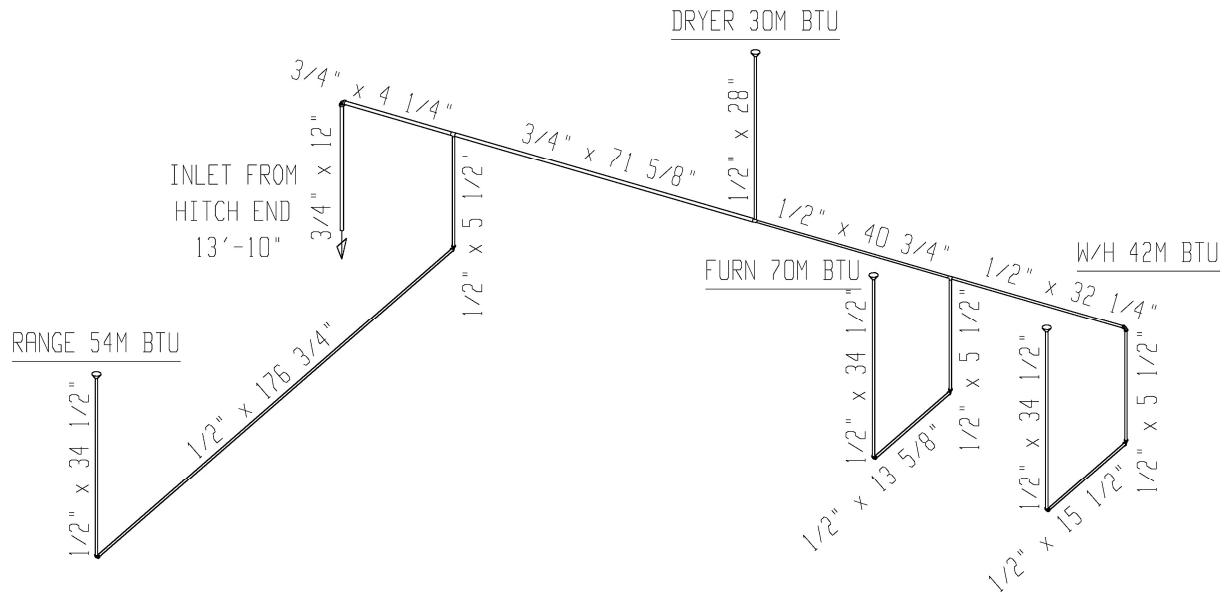
FOOTING SIZES VARY BASED ON SOIL BEARING CAPACITY AND PIER LOADS REFER TO INSTALLATION MANUAL FOR PROPER FOOTING SIZING

() - DIMENSIONS DENOTES 2X6 WALLS OPTION

DRAWING TITLE

PIER SET 99 1/2 BEAM SPACING

MODEL NAME		CELEBRATION	SQ. FT.
			1600
PLANT	DESCRIPTION	MODEL NO.	
951	28X60 3BR-2BA	1951CEL28603A	
DRAWN BY	ORIG. DATE	DATE PRINTED	SHEET NO.
ABM	12/24/2019	12/24/2019	21-PS-99



20' Column
196M AS SHOWN

*** ALL DIMENSIONS MAY VARY AS LONG AS THE TOTAL DEVELOPED LENGTH DOES NOT CHANGE ***

BRAND SCHULT	SERIES 5028	CLAYTON HOME BUILDING GROUP	<table border="1"> <thead> <tr> <th>REVISIONS</th> <th>BY</th> <th>DATE</th> </tr> </thead> <tbody> <tr><td> </td><td> </td><td> </td></tr> <tr><td> </td><td> </td><td> </td></tr> <tr><td> </td><td> </td><td> </td></tr> <tr><td> </td><td> </td><td> </td></tr> </tbody> </table>	REVISIONS	BY	DATE													<table border="1"> <thead> <tr> <th>GENERAL NOTES</th> </tr> </thead> <tbody> <tr> <td>1' HAS BEEN SUBTRACTED FOR PIPE DIMENSIONS</td> </tr> <tr> <td>SHUT OFF VALVES & FLEX CONNECTIONS PER 3280.705</td> </tr> <tr> <td>DRIP LEG @ WATER HEATER PER MANUFACTURERS INSTALLATION REQUIREMENTS</td> </tr> </tbody> </table>	GENERAL NOTES	1' HAS BEEN SUBTRACTED FOR PIPE DIMENSIONS	SHUT OFF VALVES & FLEX CONNECTIONS PER 3280.705	DRIP LEG @ WATER HEATER PER MANUFACTURERS INSTALLATION REQUIREMENTS	DRAWING TITLE GAS SCHEMATIC	<table border="1"> <tr> <td>MODEL NAME CELEBRATION</td> <td>SO. FT. 1600</td> </tr> <tr> <td>PLANT 951</td> <td>DESCRIPTION 28X60 3BR-2BR</td> </tr> <tr> <td>MODEL NO. 1951CEL28603A</td> <td> </td> </tr> <tr> <td>DRAWN BY ABM</td> <td>ORIG. DATE 12/24/2019</td> </tr> <tr> <td>DATE PRINTED 12/24/2019</td> <td>SHEET NO. 10-1</td> </tr> </table>	MODEL NAME CELEBRATION	SO. FT. 1600	PLANT 951	DESCRIPTION 28X60 3BR-2BR	MODEL NO. 1951CEL28603A		DRAWN BY ABM	ORIG. DATE 12/24/2019	DATE PRINTED 12/24/2019	SHEET NO. 10-1
REVISIONS	BY	DATE																																	
GENERAL NOTES																																			
1' HAS BEEN SUBTRACTED FOR PIPE DIMENSIONS																																			
SHUT OFF VALVES & FLEX CONNECTIONS PER 3280.705																																			
DRIP LEG @ WATER HEATER PER MANUFACTURERS INSTALLATION REQUIREMENTS																																			
MODEL NAME CELEBRATION	SO. FT. 1600																																		
PLANT 951	DESCRIPTION 28X60 3BR-2BR																																		
MODEL NO. 1951CEL28603A																																			
DRAWN BY ABM	ORIG. DATE 12/24/2019																																		
DATE PRINTED 12/24/2019	SHEET NO. 10-1																																		